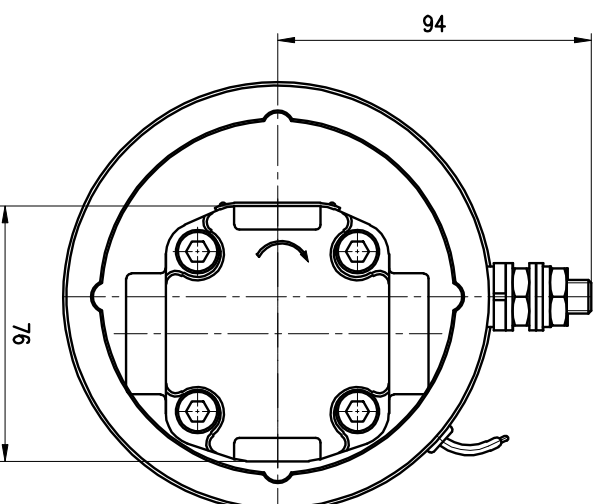
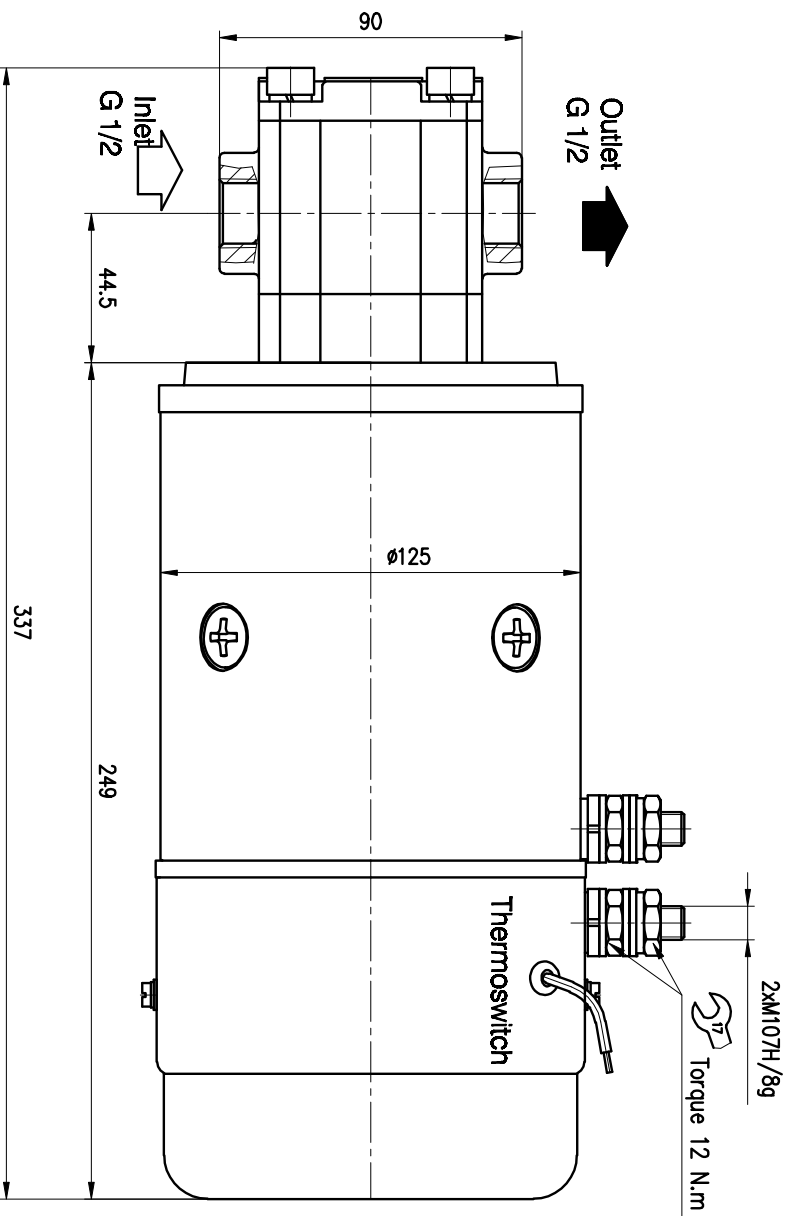


# MOTOR - PUMP

## DCM 0.7/8.0/22-01-V - 10A3.15X001G



### MOTOR

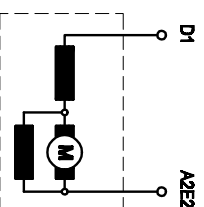
Rated Power 0.7 kW  
 Supply Voltage 80 V  
 Rated speed 2200 rpm  
 Operation mode S2 = 60 min  
 Excitation Compound

### PUMP

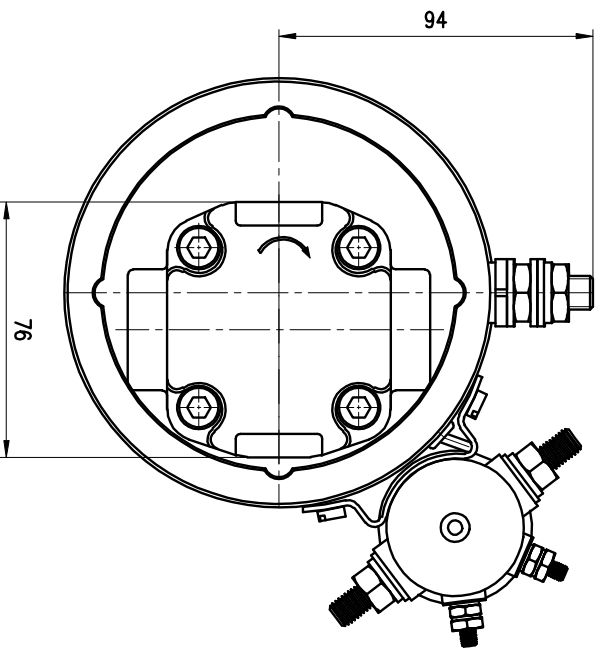
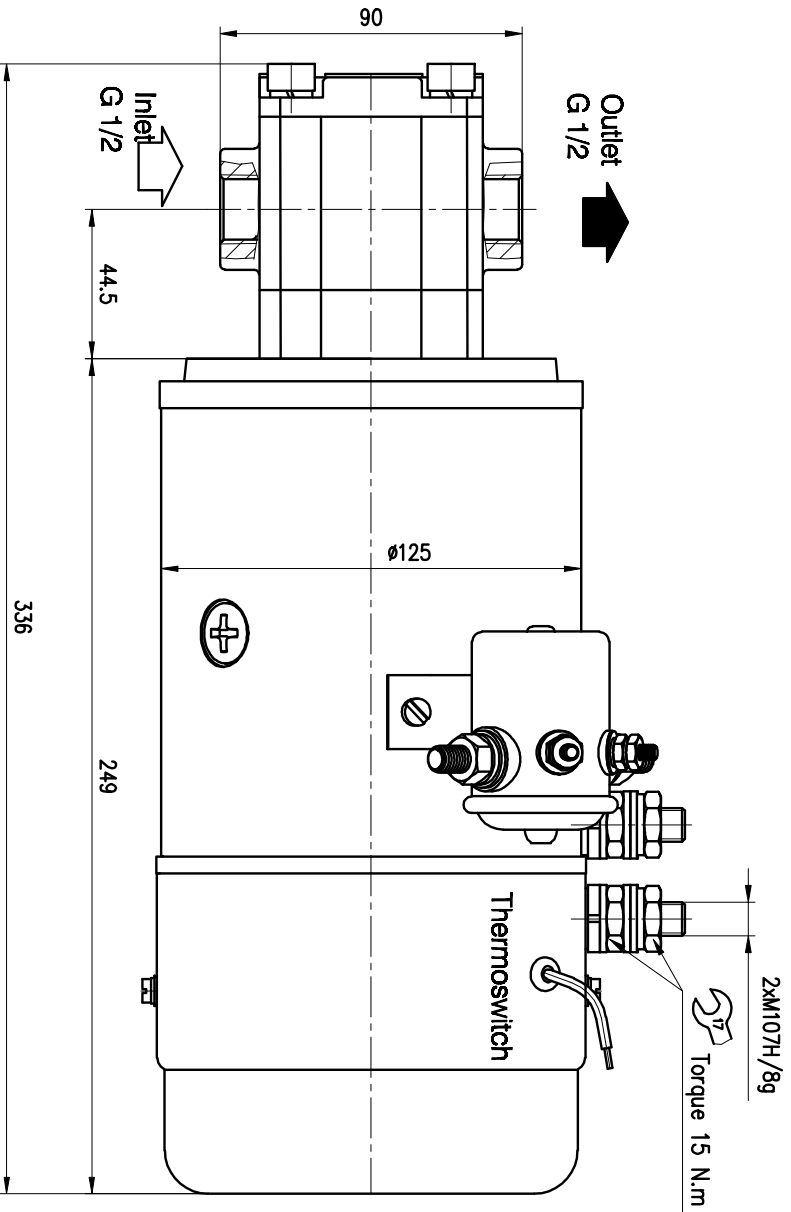
Displacement 3.15 cc  
 Max pressure 50 bar  
 Flow ~6.6 L/min

Weight ~ 12 kg

Connection Diagram



**MOTOR - PUMP**  
**DCM 3/2.4/35-01-V - 10A3.15X001G**



**MOTOR**

DCM 3/2.4/35-01-V  
Rated Power 3 kW  
Supply Voltage 24 V  
Operation mode S2 = 10 min  
Rated speed 3500 rpm

**PUMP**

10A3.15X001G  
Max pressure 150 bar  
Flow 10.5 L/min  
Weight ~ 12 kg